

Network Video Recorder

Max Capacity: 4TB

NR-1604



- Manage up to 16 Network Cameras
- High Quality Live / Playback Video
- Export Playback Videos to AVI
- Advanced PTZ Control
- Linux-embedded Operating System
- Various Types of Event Alerts
- User Level Access Control
- Pure Web Based Administration
- Supports External UPS System



- 1 LEDs for camera status
- 2 Power LED
- 3 System Status LED
- 4 Network Status LED
- 5 Hard Disk 1 Status LED
- 6 Hard Disk 2 Status LED
- 7 Alarm LED
- 8 Reset Button
- 9 Power Button
- 10 Buzzer Stop Button
11. USB 1
- 12 JSB 2

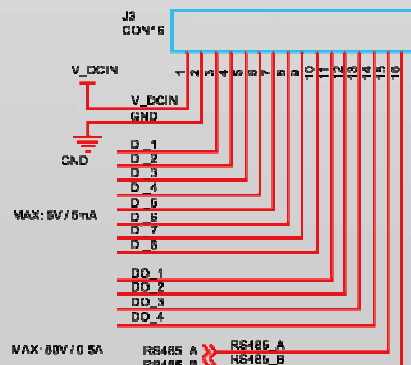
The Brickcom NR-1604 network video recorder (NVR) is an ARM9-based recording solution for SMB and SOHO users to effectively grow and navigate their network surveillance systems. This NVR is equipped with an embedded Linux operating system to allow users to remotely monitor, record, and view live video feed from up to 16 Brickcom network cameras. With the support of megapixel resolution and H.264 compression, it uses less bandwidth while offering the optimal recording quality and image viewing.

Easy installment and management is central to operation of the NR-1604. For easy set up and scalability, the NVR is able to automatically search and access the available cameras on the network. Operation of the IP cameras and NVR is managed through Brickcom's EasyConfig software and GUI. A maximum of four PCs are able to concurrently access the NVR and view live or recorded video feed using Microsoft Internet Explorer and the Brickcom GUI.

The NR-1604 is designed for long-term recording and video storage with a Gigabit Ethernet port and two SATA hard disks with a maximum capacity of 4 terabytes. The external UPS systems ensure that the NVR will provide uninterrupted recording in the event of a power failure.



Pin	Signal
1	DCIN
2	GND
3-10	Alarm Input
11	Out1
12	Out2
13	Out3
14	Out4
15	RS485+
16	RS485-



Hardware Specifications

CPU and Memory

ARM9 500Mhz / 128MB DDR RAM

Ethernet

10BaseT / 100BaseT / 1GBaseT, half duplex / full duplex and auto-negotiation

HDD

SATA HDD Slot x 2 (SATA I or SATA II)
Max. Capacity: 4TB (2TB per HDD)

LED

Cameras / Power / System / Network / HDD / Alarm

Buttons

Reset / Power / Buzzer Stop

Connectors

USB x 2
RS-485
DI/DO Connectors
RS-232

Power

19V DC
Power consumption: 90W

Dimensions

243 x 218 x 72 mm

Weight

10 lbs.

Temperature

Operating: 5 °C ~ 45 °C / 41 °F ~ 113 °F
Storage: -40 °C ~ 70 °C / -14 °F ~ 158 °F

Humidity

5% ~ 90% (non condensing)

Safety

FCC Class A / CE / UL

Software Specifications

Cameras

Add Camera: Manual / Smart Camera Search
Max. Channels: 16ch

Video

Compression: MJPEG / MPEG-4 / H.264
Resolution: MegaPixel / FD1 / CIF / QCIF, up to 1280x1024
Max. Frame Rate: 480 fps (D1) in MPEG4

Audio

Streaming: Two-way audio
Compression: G.711 / G.726

Live View

Display Mode: Live View / Playback / Full Screen
Split Screen: 1 / 4 / 16
Full Screen: 1 / 4 / 16
PTZ Control: Virtual PTZ Panel / Auto Pan / Preset Point / Preset Sequence
Sequence Mode: Sequence All / Manually Selected cameras in 1/4 split view with configurable timer
E-Map: Display Live videos with instant event notification
Snapshot: Video snapshot in JPEG format

Recording

Capacity: Depends on hard disk
Recording Mode: Manual / Continuous / Scheduling / Event
Scheduling Types: Manual Select / Profile-based / WeeklyMode
Max. Recording Performance: 8 Mbps

Network

Protocols: HTTP / SMTP / DHCP / NTP / DNS / UPnP / FTP
Streaming Protocols: Depend on the supported cameras

Playback

Split Screen: 1 / 4
Search Methods: Time / Date, Event
Playback Controls: Play / Pause / Stop / Forward / Reverse (Speed Adjustable) / Frame by Frame
Export AVI: Export Playback Videos to Local Computer in AVI Format

Triggers & Events

Event : System Start / Shutdown, System Settings modified, Camera Settings Modified, Start Recycle, Disk Full
Event Actions: HTTP / Mail / FTP / Buzzer / Record
Event Recording: Pre / Post Event Settings

User Management

Management: User / Group
Number of Groups: 7 (Administrator / Guest / User Define * 5)
Privileges: Live View / Playback / System Configurations / Camera Configurations / Recording Configuration / Event Configuration / Maintenance

Central Management

Central Management: Support Brickcom BCMS16

Power & Storage

UPS: Support External UPS System
Storage: Support SATAx2, Max. 2TB per drive

Logs

Logs Types: Alert / Event / User Access

Systems

Mini. Hardware Requirements:
CPU: Intel Pentium 4 or higher @ 2Ghz
RAM: 1GB or above
Network: 100 Megabit Network Interface or above
Mini. Software Requirements:
IE Browser version 7 or above

General

Languages: English / Japanese / Trad. Chinese / Simp. Chinese / Spanish / Italian / German / Danish

Packaging

NR-1604 (HDD NOT included) / CD with Software tool / Datasheet / Quick Guide / User's Manual / Warranty Card / Power Cable