

## 1.3 Megapixel Day & Night Fixed Dome Network Camera



### FD-130A Series

- H.264, MPEG-4 and MJPEG Triple Codec Compression
- Simultaneous Dual stream for Optimized Quality and Bandwidth
- Wide View Coverage
- Unique Profile Setting for Variable Environment
- Built-in IR Illuminator LEDs/Removable IR-cut Filter /Auto Light Sensor for Day and Night
- 802.3af Compliant POE
- 3 Axis design
- 1 DI/DO for External Alarm and Sensor Device

### Network Equipments



**PS-588I**  
8-port 10/100M POE Switch

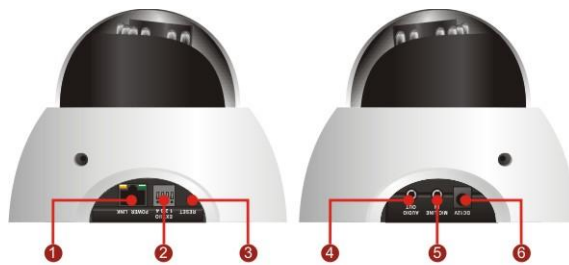


**PS-7242IL-AF**  
24-port 10/100M POE Switch

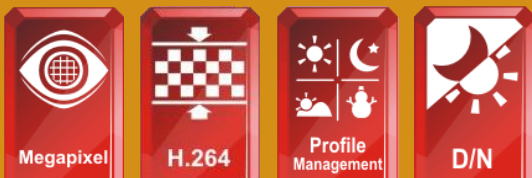
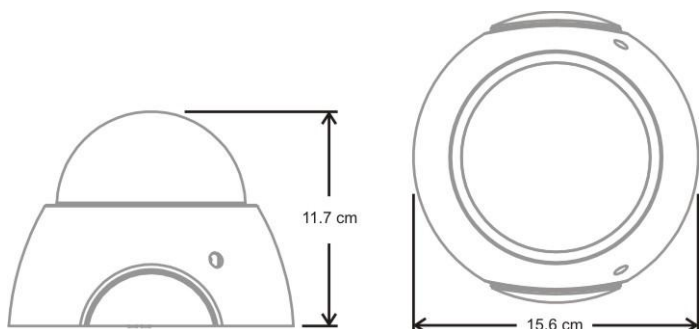


**POE30U**  
PoE Injector

### Dimension Diagram (FD-130Ap Series)



1. RJ45 Connector (for Ethernet and POE)
2. Terminal Block (for DI/DO)
3. Reset Button
4. Audio out
5. Audio in
6. DC12V/1A Power Connector
7. Video Adjust Screw
8. Pan Screw
9. Lens
10. Focus Control Bar
11. Video Adjust Control Bar
12. Tilt Screw
13. IR LED



**FD-130A Series**

**Camera**

<b>Model Number</b>	<b>FD-130Ae/ FD-130Ap</b> - 1.3 Megapixel/ IR LED/ 2 way Audio/ Ethernet/ POE/ DIDO/
<b>Hardware System</b>	CPU: 500 MHz Flash: 16M RAM: 128M DDR
<b>Image Sensor</b>	Sensor Type : 1/3" CMOS 1.3 Megapixel Sensor Sensor Resolution : 1280 x 1024 pixel Minimum Illumination : 1 Lux / F1.6 (Without IR LED ) 0 Lux / F1.6 ( With IR LED )
<b>Lens</b>	Lens Type : Moto-focal with Auto-Iris, IR corrective Focal Length: f= 3.3~12 mm, 3.6X View Angle (Hor): 89.8°- 23.9° (Ver): 63.6°- 17.9° (Dia):125.7°- 29.9°
<b>Day &amp; Night Support</b>	Mechanical ICR and 12pcs IR LEDs, triggered by sensor IR distance: 15m IR wavelength: 850nm Bean Angle: 40°

**Video**

<b>Video Image Compression</b>	<b>FD-130Ae</b> MPEG4 / MJPEG <b>FD-130Ap</b> H.264 / MPEG4 / MJPEG
<b>Video Setting</b>	Auto Exposure Control: Sport, Normal, Night Vision, User Defined Auto Gain Control: 1X~5X Shutter Speed: 1/18000~1/4s
<b>Image Resolution</b>	<b>FD-130Ae</b> <b>5:4</b> - 1280 x 1024 - 640 x 512 - 320 x 256 <b>FD-130Ap</b> <b>5:4</b> - 1280 x 1024 - 640 x 512 - 320 x 256 <b>16:9</b> - 1280 x 720 - 640 x 352 - 320 x 176 <b>4:3</b> - 640 x 480 - 320 x 240
<b>Frame Rate at Max. Resolution</b>	<b>FD-130Ae</b> MPEG4: 15 fps MJPEG: 15 fps <b>FD-130Ap</b> H.264: 20 fps MPEG4: 20 fps MJPEG: 20 fps

**Audio**

<b>Audio Streaming</b>	Two-way audio support
<b>Audio Compression</b>	G.711, AMR (8 kHz, Mono, PCM)
<b>Audio Input</b>	External microphone or line input (Unbalanced, 1.4 Vp-p, 1 Vrms)
<b>Audio output</b>	Line output

**Network**

<b>Communication</b>	Ethernet : one 10/100Mbps RJ-45 Supported Protocols : TCP/IP, UDP, ICMP, DHCP, NTP, DNS, DDNS, SMTP, FTP, HTTP, Samba, PPPoE, UPnP, RTP, RTSP,
----------------------	---

**General**

<b>Interface &amp; Buttons</b>	DC Power Connector Ethernet Cable Connector General I/O Terminal block External MIC/Line input External Audio output Reset button
<b>Power input</b>	DC 12V / 1A (Power Supply) PoE: 802.3af compliant
<b>LEDs</b>	Status (Power/Link)
<b>Power consumption</b>	Max Power Consumption : 6 watts
<b>Environment</b>	Operating Temperature : 0°C ~ 40°C (32°F ~ 104°F) Operating Humidity : 10% ~ 80%
<b>Dimension</b>	156(D) X 117 (H) mm
<b>Weight</b>	Net: 620 g Gross: 1200 g
<b>Certification</b>	FCC, CE
<b>Warranty</b>	Limited 2-year warranty